

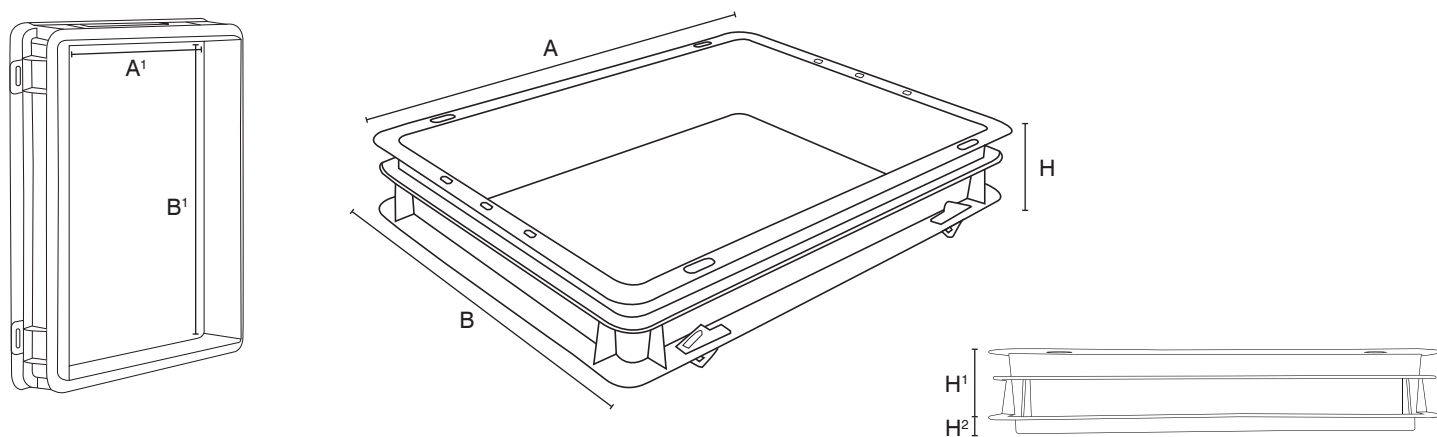


INTERBOX s.a. - Via dei Balconi, 11 - CH 6917 BARBENGO (LUGANO)

TEL. +41 (0)91 9945545 - FAX. +41 (0)91 9942260 - e-mail: info@interbox.ch - www.interbox.ch




## MULTIPURPOSE CONTAINERS / ORGANISATION AND STORAGE

### FRAME FOR DELTA MEC 400x300



This frame was created as an accessory for the Delta Mec 400x300 series containers. Made of PP, it represents the ideal solution for anyone wishing to increase the load volume of their Delta Mec 400x300 container. The frame is fixed to the container using four snap clips to be inserted into the specific holes located along the long side of the frame.

**Colours:**  Food Contact Grey

**Material:**    Resistant to acids, fats, and solvents, and made of non-toxic food-grade material.

#### Size and Weight

ARTICLE	EXTERNAL SIZE mm			INTERNAL SIZE mm				WEIGHT
	A	B	H	A'	B'	H'	H''	
FRAME FOR DELTA MEC 400x300	400	300	75	262	365	60	15	0.350 Kg
DELTA MEC 3 + FRAME	400	300	100	-	-	-	-	0.825 Kg
DELTA MEC 6 + FRAME	400	300	130	-	-	-	-	0.995 Kg
DELTA MEC 9 + FRAME	400	300	160	-	-	-	-	1.115 Kg
DELTA MEC 12 + FRAME	400	300	200	-	-	-	-	1.35 Kg
DELTA MEC 17 + FRAME	400	300	230	-	-	-	-	1.45 Kg
DELTA MEC 22 + FRAME	400	300	280	-	-	-	-	1.68 Kg
DELTA MEC 32 + FRAME	400	300	380	-	-	-	-	2.06 Kg

The sales office is at your disposal to advise the version most suited to your needs.